

CONDENSATE
DISCHARGE
"CONSOLE"

G3/4" EK

OUT

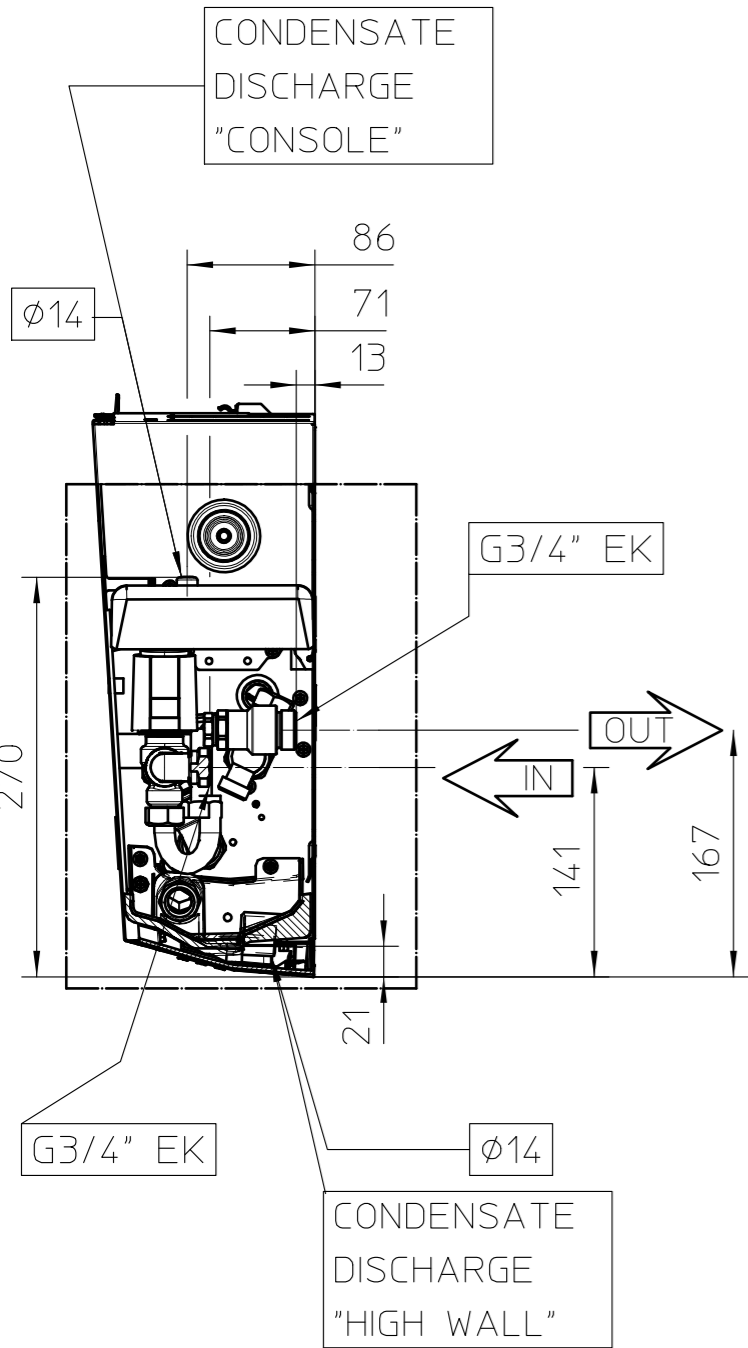
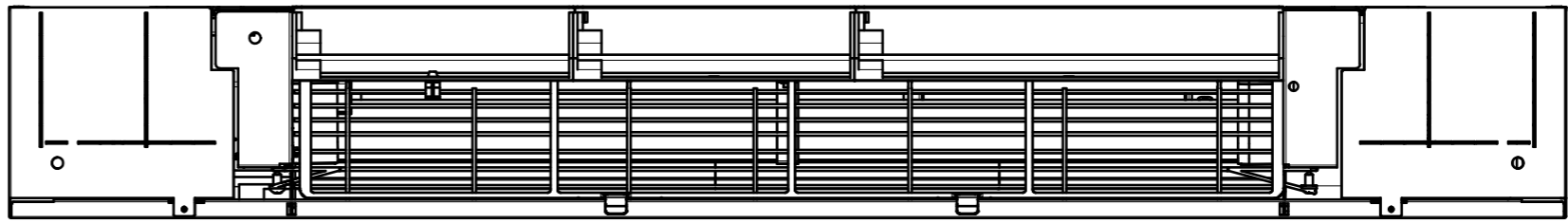
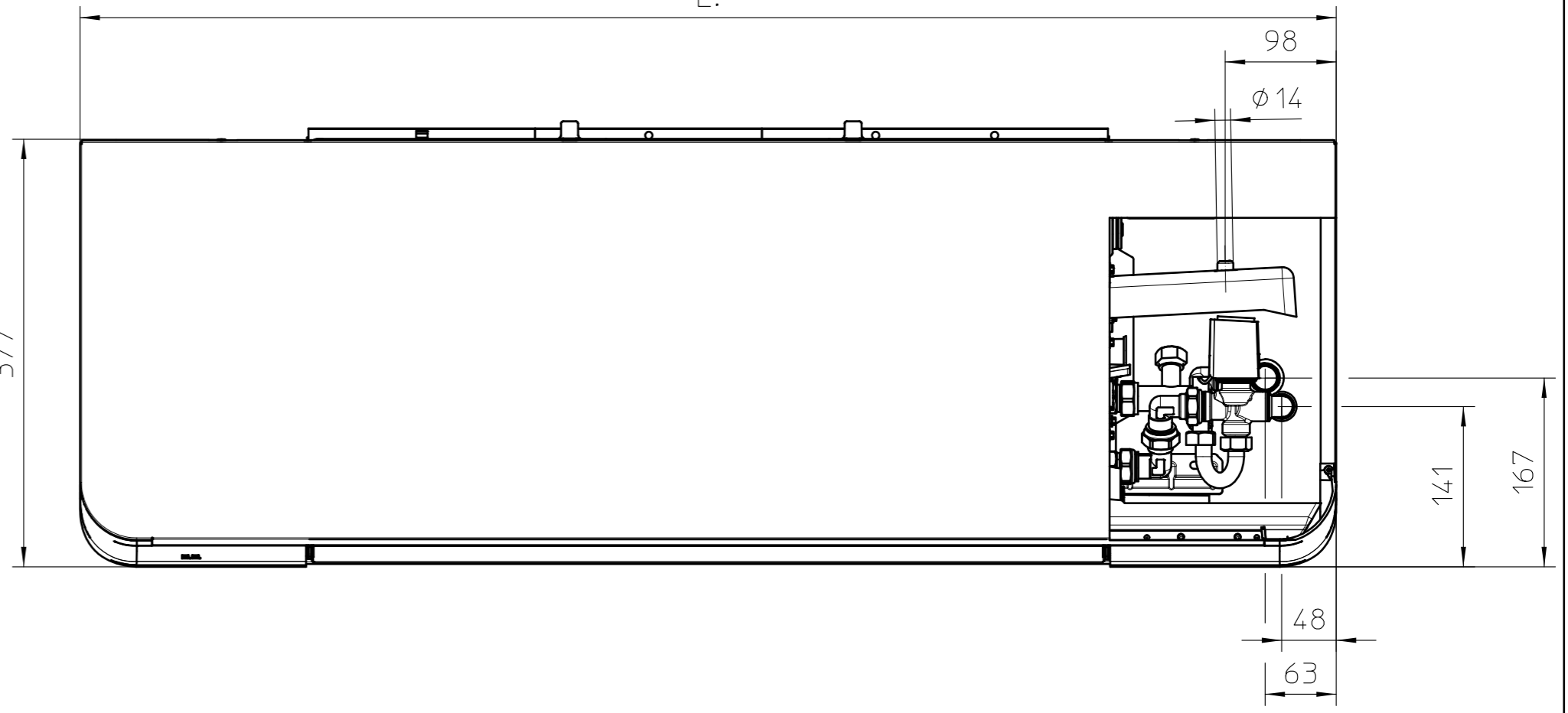
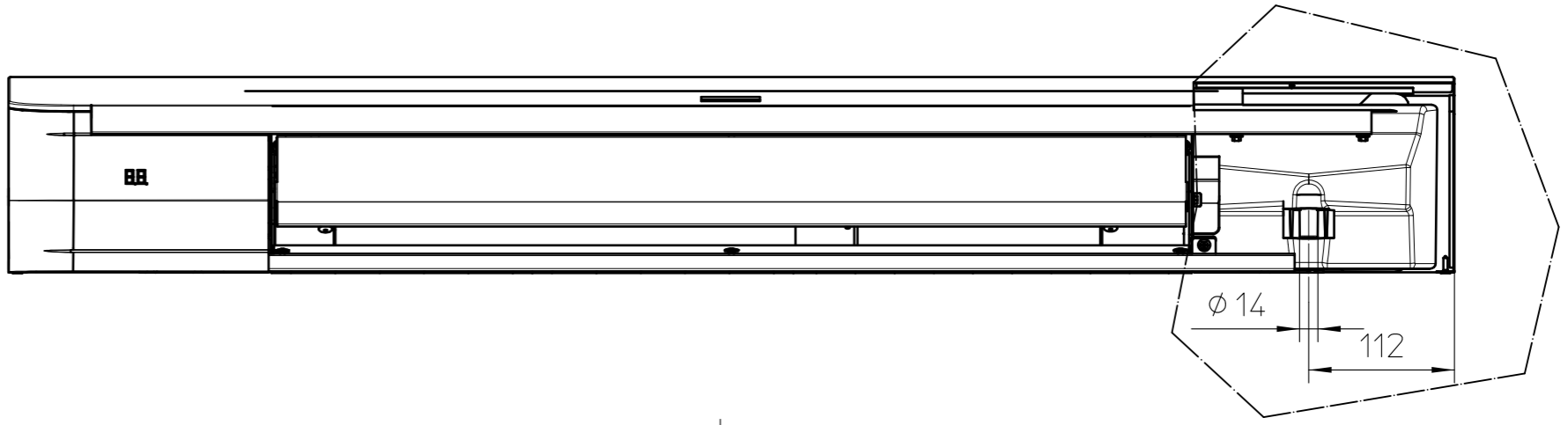
IN

G3/4" EK

CONDENSATE
DISCHARGE
"HIGH WALL"

MOD	A
400	908
600	1108
800	1308

Bi2 Wall 2 Way



CONDENSATE
DISCHARGE
"CONSOLE"

G3/4" EK

CONDENSATE
DISCHARGE
"HIGH WALL"

MOD	A
400	908
600	1108
800	1308

Bi2 Wall 3 Way